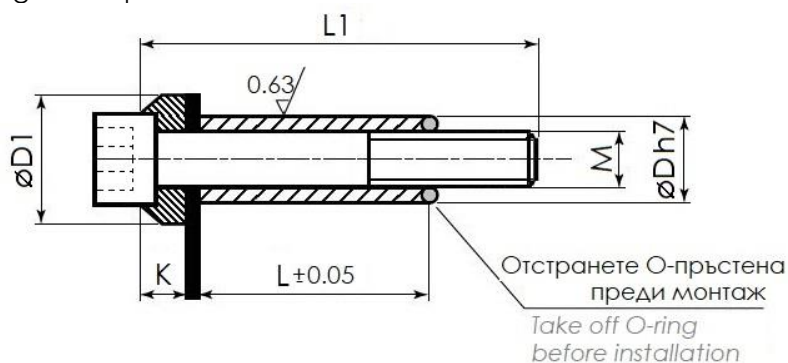


**R0161 Винт с шлифован дистанционер /**  
 Shouldered screw with ground spacer

Стр./Page 1 / 3



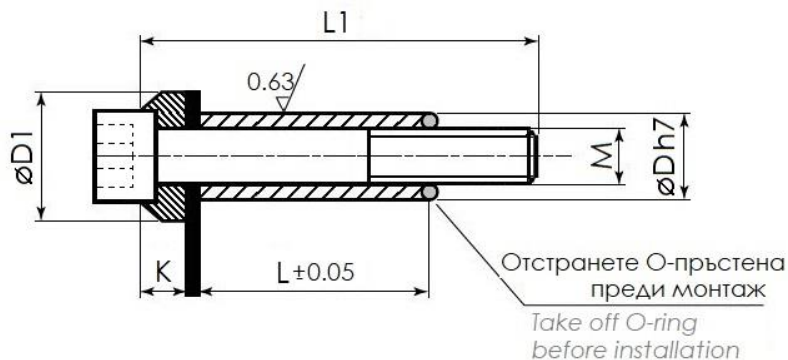
Материал: Стомана,  
 качество 12.9 UNI 5931

Material: Steel, normative  
 12.9 UNI 5931

КоА/Code	D	D1	L1	L	M	Ks	SW	Tsw	ch	K	Dgl	Dshi	CHs	Dsg	†	M05
R0161_10x015-M6	10	15	30	15	6	6	5	3	0.5	6	10	6.5	3	11	2	4.1
R0161_10x020-M6	10	15	35	20	6	6	5	3	0.5	6	10	6.5	3	11	2	4.1
R0161_10x025-M6	10	15	40	25	6	6	5	3	0.5	6	10	6.5	3	11	2	4.1
R0161_10x030-M6	10	15	45	30	6	6	5	3	0.5	6	10	6.5	3	11	2	4.1
R0161_10x035-M6	10	15	50	35	6	6	5	3	0.5	6	10	6.5	3	11	2	4.1
R0161_10x040-M6	10	15	55	40	6	6	5	3	0.5	6	10	6.5	3	11	2	4.1
R0161_10x045-M6	10	15	60	45	6	6	5	3	0.5	6	10	6.5	3	11	2	4.1
R0161_10x050-M6	10	15	65	50	6	6	5	3	0.5	6	10	6.5	3	11	2	4.1
R0161_10x055-M6	10	15	70	55	6	6	5	3	0.5	6	10	6.5	3	11	2	4.1
R0161_10x060-M6	10	15	80	60	6	6	5	3	0.5	6	10	6.5	3	11	2	4.1
R0161_10x065-M6	10	15	80	65	6	6	5	3	0.5	6	10	6.5	3	11	2	4.1
R0161_10x070-M6	10	15	90	70	6	6	5	3	0.5	6	10	6.5	3	11	2	4.1
R0161_10x080-M6	10	15	100	80	6	6	5	3	0.5	6	10	6.5	3	11	2	4.1
R0161_10x090-M6	10	15	110	90	6	6	5	3	0.5	6	10	6.5	3	11	2	4.1
R0161_10x100-M6	10	15	120	100	6	6	5	3	0.5	6	10	6.5	3	11	2	4.1
R0161_10x110-M6	10	15	130	110	6	6	5	3	0.5	6	10	6.5	3	11	2	4.1
R0161_12.5x020-M8	12.5	19	35	20	8	6.5	6	4	0.7	8	13	9	3	15	1.5	5.1
R0161_12.5x025-M8	12.5	19	40	25	8	6.5	6	4	0.7	8	13	9	3	15	1.5	5.1
R0161_12.5x030-M8	12.5	19	45	30	8	6.5	6	4	0.7	8	13	9	3	15	1.5	5.1
R0161_12.5x035-M8	12.5	19	50	35	8	6.5	6	4	0.7	8	13	9	3	15	1.5	5.1
R0161_12.5x040-M8	12.5	19	55	40	8	6.5	6	4	0.7	8	13	9	3	15	1.5	5.1
R0161_12.5x045-M8	12.5	19	60	45	8	6.5	6	4	0.7	8	13	9	3	15	1.5	5.1
R0161_12.5x050-M8	12.5	19	65	50	8	6.5	6	4	0.7	8	13	9	3	15	1.5	5.1
R0161_12.5x055-M8	12.5	19	70	55	8	6.5	6	4	0.7	8	13	9	3	15	1.5	5.1
R0161_12.5x060-M8	12.5	19	80	60	8	6.5	6	4	0.7	8	13	9	3	15	1.5	5.1
R0161_12.5x065-M8	12.5	19	80	65	8	6.5	6	4	0.7	8	13	9	3	15	1.5	5.1
R0161_12.5x070-M8	12.5	19	90	70	8	6.5	6	4	0.7	8	13	9	3	15	1.5	5.1
R0161_12.5x080-M8	12.5	19	100	80	8	6.5	6	4	0.7	8	13	9	3	15	1.5	5.1
R0161_12.5x090-M8	12.5	19	110	90	8	6.5	6	4	0.7	8	13	9	3	15	1.5	5.1
R0161_12.5x100-M8	12.5	19	120	100	8	6.5	6	4	0.7	8	13	9	3	15	1.5	5.1
R0161_12.5x110-M8	12.5	19	130	110	8	6.5	6	4	0.7	8	13	9	3	15	1.5	5.1
R0161_12.5x120-M8	12.5	19	140	120	8	6.5	6	4	0.7	8	13	9	3	15	1.5	5.1
R0161_12.5x140-M8	12.5	19	160	140	8	6.5	6	4	0.7	8	13	9	3	15	1.5	5.1
R0161_15x020-M10	15	23	40	20	10	7.5	8	5	1	10	16	11	3.5	18	2.5	5.1
R0161_15x025-M10	15	23	45	25	10	7.5	8	5	1	10	16	11	3.5	18	2.5	5.1
R0161_15x030-M10	15	23	50	30	10	7.5	8	5	1	10	16	11	3.5	18	2.5	5.1
R0161_15x035-M10	15	23	55	35	10	7.5	8	5	1	10	16	11	3.5	18	2.5	5.1
R0161_15x040-M10	15	23	60	40	10	7.5	8	5	1	10	16	11	3.5	18	2.5	5.1

**R0161 Винт с шлифован дистанционер /**  
 Shouldered screw with ground spacer

Стр./Page 2 / 3



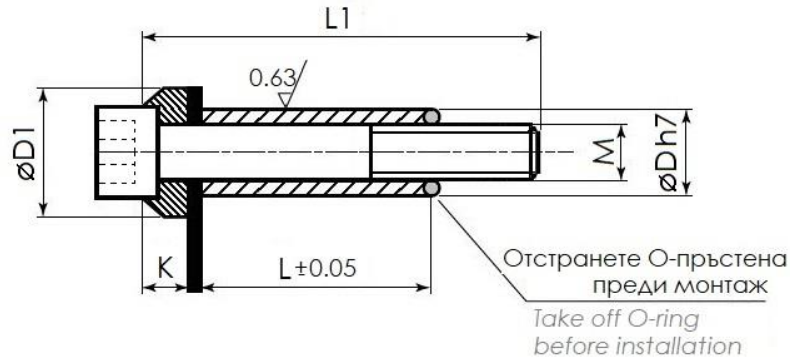
Материал: Стомана,  
 качество 12.9 UNI 5931

Material: Steel, normative  
 12.9 UNI 5931

Код/Code	D	D1	L1	L	M	Ks	SW	Tsw	ch	K	Dgl	Dshi	CHs	Dsg	†	M05
R0161_15x045-M10	15	23	65	45	10	7.5	8	5	1	10	16	11	3.5	18	2.5	5.1
R0161_15x050-M10	15	23	70	50	10	7.5	8	5	1	10	16	11	3.5	18	2.5	5.1
R0161_15x055-M10	15	23	75	55	10	7.5	8	5	1	10	16	11	3.5	18	2.5	5.1
R0161_15x060-M10	15	23	80	60	10	7.5	8	5	1	10	16	11	3.5	18	2.5	5.1
R0161_15x065-M10	15	23	85	65	10	7.5	8	5	1	10	16	11	3.5	18	2.5	5.1
R0161_15x070-M10	15	23	90	70	10	7.5	8	5	1	10	16	11	3.5	18	2.5	5.1
R0161_15x080-M10	15	23	100	80	10	7.5	8	5	1	10	16	11	3.5	18	2.5	5.1
R0161_15x090-M10	15	23	110	90	10	7.5	8	5	1	10	16	11	3.5	18	2.5	5.1
R0161_15x100-M10	15	23	120	100	10	7.5	8	5	1	10	16	11	3.5	18	2.5	5.1
R0161_15x110-M10	15	23	130	110	10	7.5	8	5	1	10	16	11	3.5	18	2.5	5.1
R0161_15x120-M10	15	23	140	120	10	7.5	8	5	1	10	16	11	3.5	18	2.5	5.1
R0161_15x140-M10	15	23	160	140	10	7.5	8	5	1	10	16	11	3.5	18	2.5	5.1
R0161_15x150-M10	15	23	170	150	10	7.5	8	5	1	10	16	11	3.5	18	2.5	5.1
R0161_15x160-M10	15	23	180	160	10	7.5	8	5	1	10	16	11	3.5	18	2.5	5.1
R0161_15x180-M10	15	23	200	180	10	7.5	8	5	1	10	16	11	3.5	18	2.5	5.1
R0161_15x200-M10	15	23	220	200	10	7.5	8	5	1	10	16	11	3.5	18	2.5	5.1
R0161_17.5x030-M12	17.5	27	50	30	12	9	10	6	1.3	12	18	13	4.5	20	3	6.1
R0161_17.5x035-M12	17.5	27	55	35	12	9	10	6	1.3	12	18	13	4.5	20	3	6.1
R0161_17.5x040-M12	17.5	27	60	40	12	9	10	6	1.3	12	18	13	4.5	20	3	6.1
R0161_17.5x045-M12	17.5	27	65	45	12	9	10	6	1.3	12	18	13	4.5	20	3	6.1
R0161_17.5x050-M12	17.5	27	70	50	12	9	10	6	1.3	12	18	13	4.5	20	3	6.1
R0161_17.5x055-M12	17.5	27	80	55	12	9	10	6	1.3	12	18	13	4.5	20	3	6.1
R0161_17.5x060-M12	17.5	27	90	60	12	9	10	6	1.3	12	18	13	4.5	20	3	6.1
R0161_17.5x065-M12	17.5	27	90	65	12	9	10	6	1.3	12	18	13	4.5	20	3	6.1
R0161_17.5x070-M12	17.5	27	100	70	12	9	10	6	1.3	12	18	13	4.5	20	3	6.1
R0161_17.5x080-M12	17.5	27	110	80	12	9	10	6	1.3	12	18	13	4.5	20	3	6.1
R0161_17.5x090-M12	17.5	27	120	90	12	9	10	6	1.3	12	18	13	4.5	20	3	6.1
R0161_17.5x100-M12	17.5	27	130	100	12	9	10	6	1.3	12	18	13	4.5	20	3	6.1
R0161_17.5x110-M12	17.5	27	140	110	12	9	10	6	1.3	12	18	13	4.5	20	3	6.1
R0161_17.5x120-M12	17.5	27	150	120	12	9	10	6	1.3	12	18	13	4.5	20	3	6.1
R0161_17.5x140-M12	17.5	27	180	140	12	9	10	6	1.3	12	18	13	4.5	20	3	6.1
R0161_17.5x150-M12	17.5	27	180	150	12	9	10	6	1.3	12	18	13	4.5	20	3	6.1
R0161_17.5x160-M12	17.5	27	200	160	12	9	10	6	1.3	12	18	13	4.5	20	3	6.1
R0161_17.5x180-M12	17.5	27	220	180	12	9	10	6	1.3	12	18	13	4.5	20	3	6.1
R0161_17.5x200-M12	17.5	27	240	200	12	9	10	6	1.3	12	18	13	4.5	20	3	6.1
R0161_17.5x220-M12	17.5	27	260	220	12	9	10	6	1.3	12	18	13	4.5	20	3	6.1
R0161_23x040-M16	23	34	70	40	16	11	14	8	1.5	16	24	17	5.5	26	3	8.1
R0161_23x045-M16	23	34	75	45	16	11	14	8	1.5	16	24	17	5.5	26	3	8.1
R0161_23x050-M16	23	34	80	50	16	11	14	8	1.5	16	24	17	5.5	26	3	8.1

**R0161 Винт с шлифован дистанционер /**  
 Shouldered screw with ground spacer

Стр./Page 3 / 3



Материал: Стомана,  
 качество 12.9 UNI 5931

Material: Steel, normative  
 12.9 UNI 5931

Код/Code	D	D1	L1	L	M	Ks	SW	Tsw	ch	K	Dgl	Dshi	CHs	Dsg	†	M05
R0161_23x055-M16	23	34	90	55	16	11	14	8	1.5	16	24	17	5.5	26	3	8.1
R0161_23x060-M16	23	34	90	60	16	11	14	8	1.5	16	24	17	5.5	26	3	8.1
R0161_23x065-M16	23	34	100	65	16	11	14	8	1.5	16	24	17	5.5	26	3	8.1
R0161_23x070-M16	23	34	100	70	16	11	14	8	1.5	16	24	17	5.5	26	3	8.1
R0161_23x080-M16	23	34	110	80	16	11	14	8	1.5	16	24	17	5.5	26	3	8.1
R0161_23x090-M16	23	34	120	90	16	11	14	8	1.5	16	24	17	5.5	26	3	8.1
R0161_23x100-M16	23	34	130	100	16	11	14	8	1.5	16	24	17	5.5	26	3	8.1
R0161_23x110-M16	23	34	140	110	16	11	14	8	1.5	16	24	17	5.5	26	3	8.1
R0161_23x120-M16	23	34	150	120	16	11	14	8	1.5	16	24	17	5.5	26	3	8.1
R0161_23x140-M16	23	34	180	140	16	11	14	8	1.5	16	24	17	5.5	26	3	8.1
R0161_23x150-M16	23	34	180	150	16	11	14	8	1.5	16	24	17	5.5	26	3	8.1
R0161_23x160-M16	23	34	200	160	16	11	14	8	1.5	16	24	17	5.5	26	3	8.1
R0161_23x180-M16	23	34	210	180	16	11	14	8	1.5	16	24	17	5.5	26	3	8.1
R0161_23x200-M16	23	34	240	200	16	11	14	8	1.5	16	24	17	5.5	26	3	8.1
R0161_23x220-M16	23	34	250	220	16	11	14	8	1.5	16	24	17	5.5	26	3	8.1
R0161_23x230-M16	23	34	260	230	16	11	14	8	1.5	16	24	17	5.5	26	3	8.1