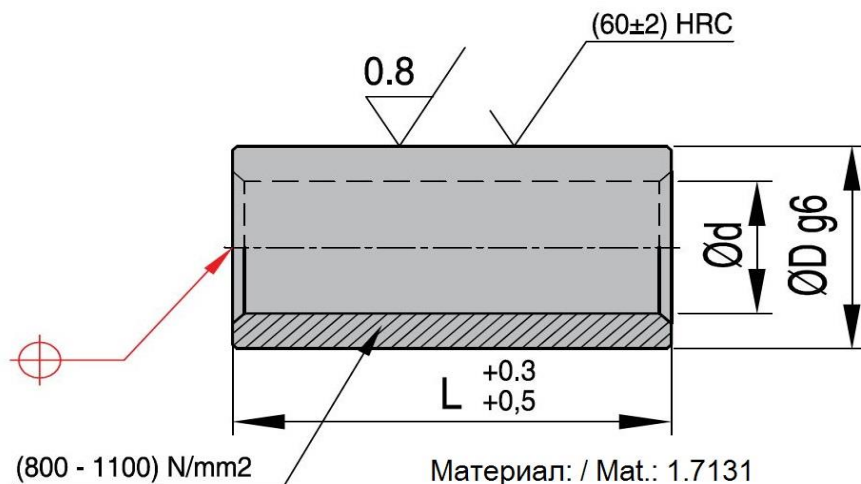


R09-Щифт кух

Стр.1 от 1



Офис Централен:

ж.к. Люлин-Център, ул. Архитект
 Георги Ненов №31
 1324 София, България
 тел: +359 (2) 923 44 88
 тел: +359 884 612 894
 факс: +359 (2) 923 44 55

Офис Пловдив:

Електроапаратурен завод –
 ЕАЗ АД, Бул. Цар Борис III
 Обединител, №1-продължение,
 ет.3, офис 48
 4000 Пловдив, България
 тел: +359 888 055 215
 тел: +359 884 605 128
office@krasco.com
www.krasco.com

Код DxL	D	d	L
R09/10x020	10	6.2	20
R09/10x030	10	6.2	30
R09/10x040	10	6.2	40
R09/10x050	10	6.2	50
R09/10x060	10	6.2	60
R09/10x070	10	6.2	70
R09/10x080	10	6.2	80
R09/10x100	10	6.2	100
R09/10x120	10	6.2	120
R09/10x140	10	6.2	140
R09/14x030	14	8.5	30
R09/14x040	14	8.5	40
R09/14x050	14	8.5	50
R09/14x060	14	8.5	60
R09/14x070	14	8.5	70
R09/14x080	14	8.5	80
R09/14x120	14	8.5	120
R09/14x140	14	8.5	140
R09/14x160	14	8.5	160
R09/14x180	14	8.5	180
R09/18x040	18	10.5	40
R09/18x050	18	10.5	50
R09/18x060	18	10.5	60
R09/18x070	18	10.5	70
R09/18x080	18	10.5	80
R09/18x120	18	10.5	120
R09/18x140	18	10.5	140
R09/18x160	18	10.5	160
R09/18x180	18	10.5	180
R09/18x200	18	10.5	200
R09/18x220	18	10.5	220
R09/18x240	18	10.5	240
R09/24x060	24	13	60
R09/24x080	24	13	80
R09/24x100	24	13	100
R09/24x120	24	13	120
R09/24x140	24	13	140
R09/24x160	24	13	160

Код DxL	D	d	L
R09/24x180	24	13	180
R09/24x200	24	13	200
R09/24x220	24	13	220
R09/24x240	24	13	240
R09/30x080	30	17	80
R09/30x100	30	17	100
R09/30x120	30	17	120
R09/30x140	30	17	140
R09/30x160	30	17	160
R09/30x180	30	17	180
R09/30x200	30	17	200
R09/30x220	30	17	220
R09/30x240	30	17	240
R09/30x260	30	17	260
R09/30x280	30	17	280
R09/30x300	30	17	300